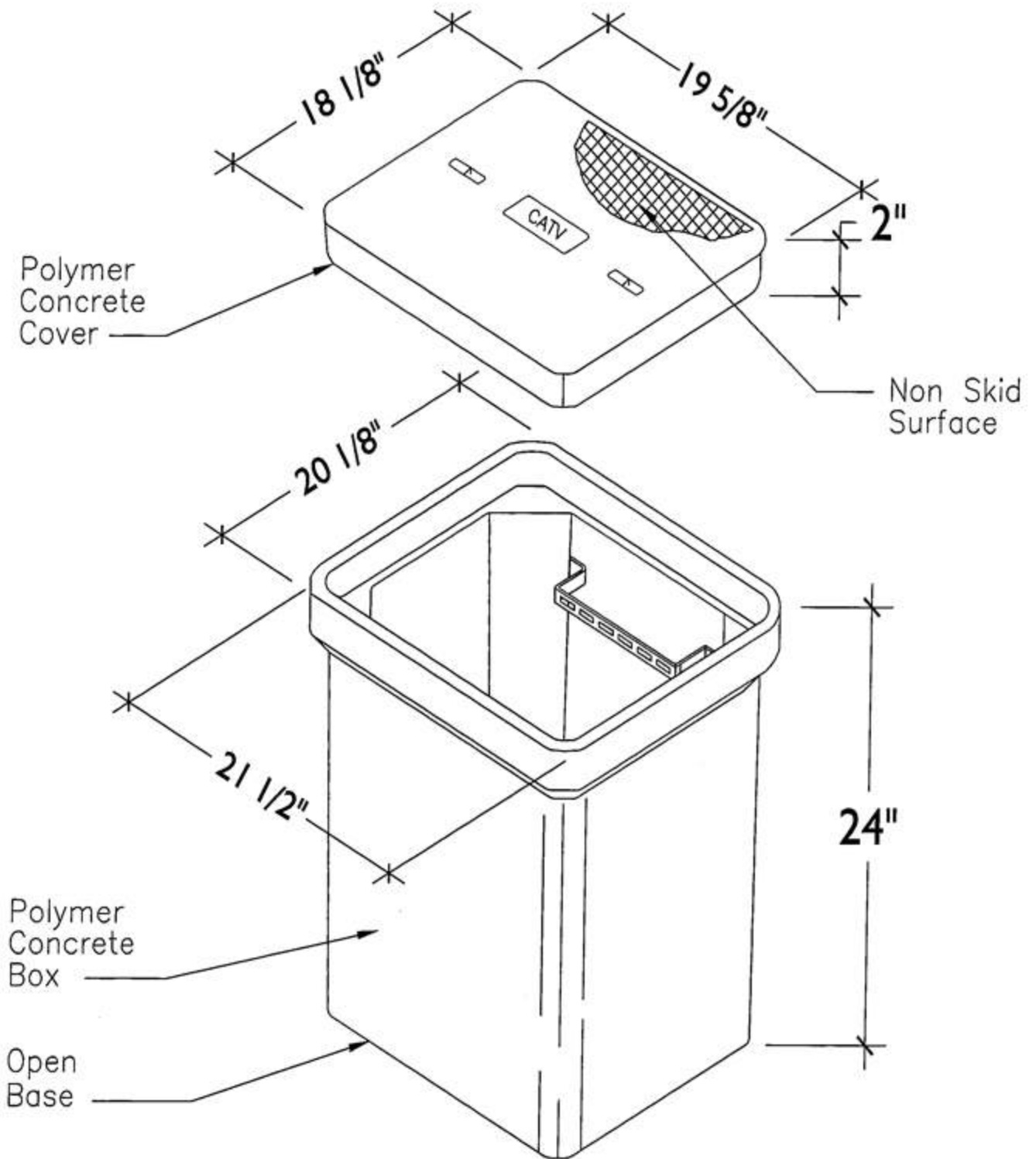


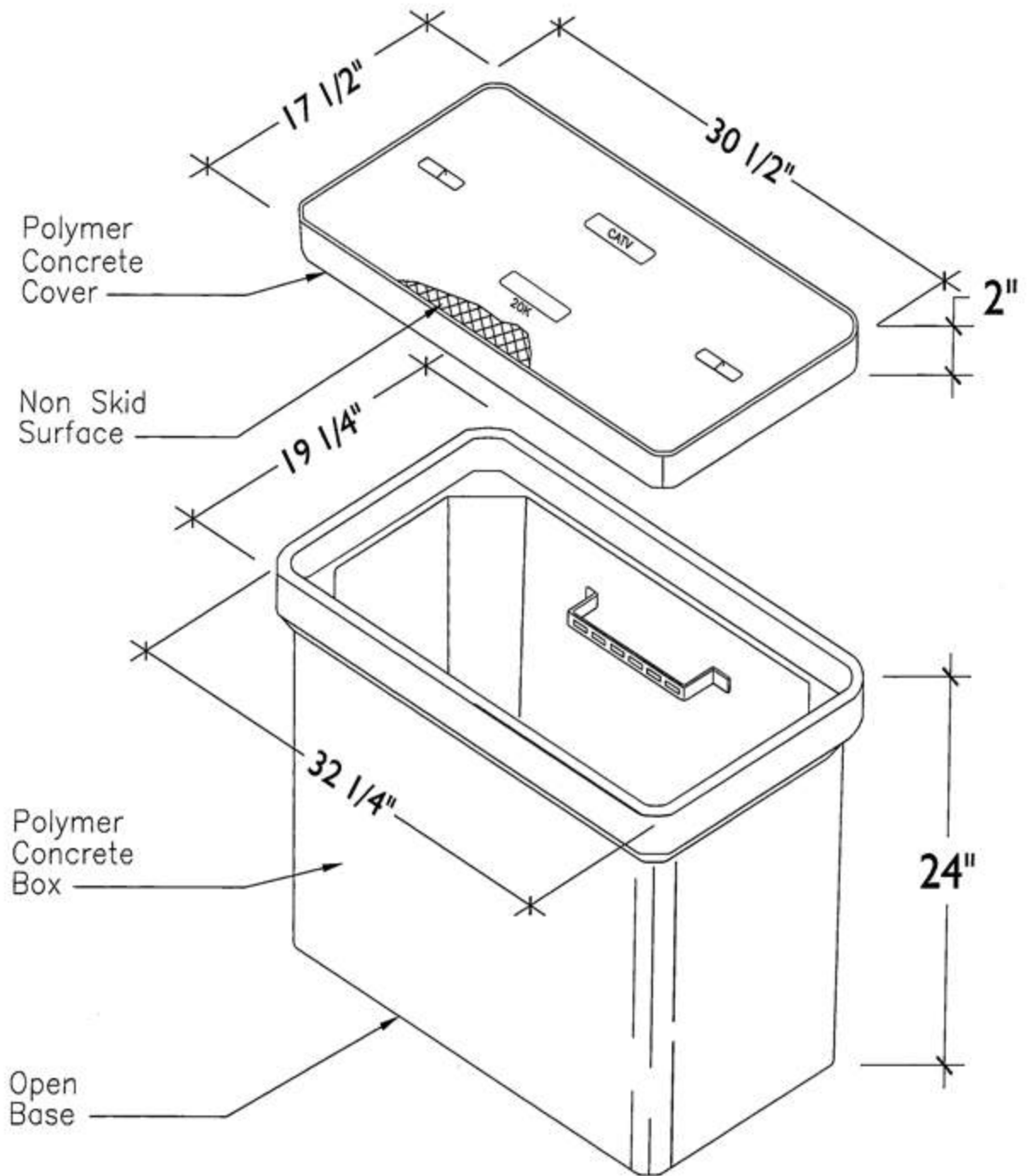
**HANDHOLE 10 1/2 X 21 CABLE TV POLYMER
PART # N-16**



HANDHOLE 18 X 19 X 24 CABLE TV

PART # B-24

PAGE - C2



HANDHOLE 17 X 30 X 24 CABLE TV
PART # N-36